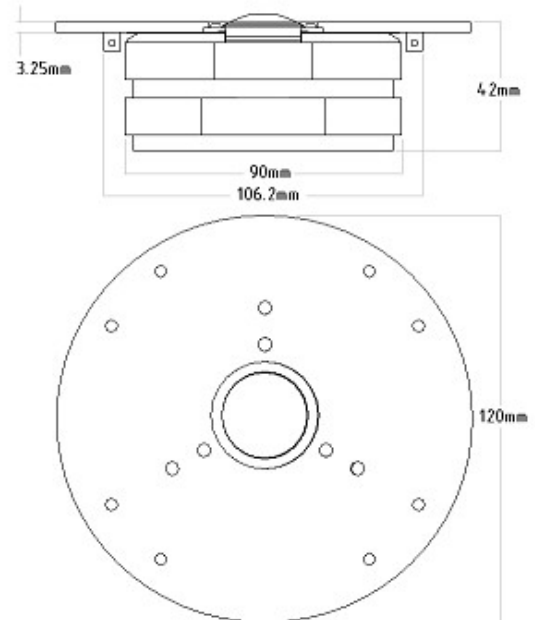
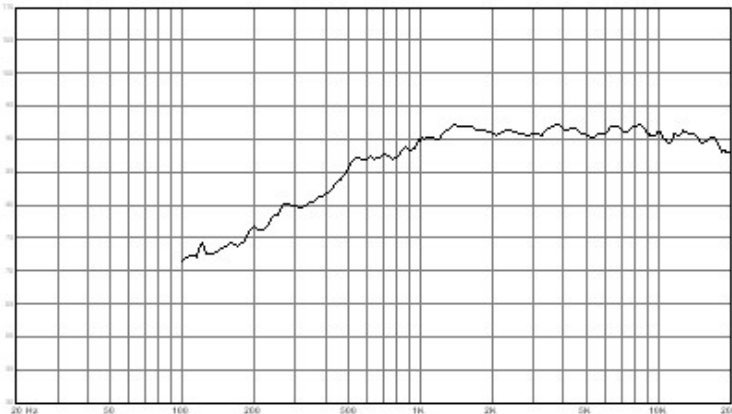


## N26MGR-A

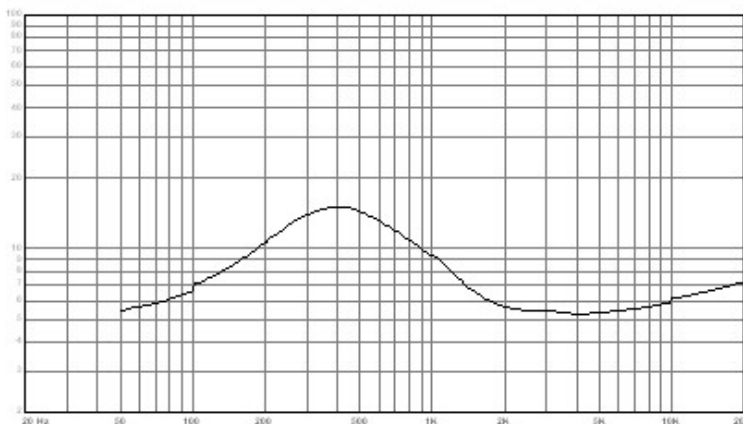
- Magnesium Oxide (MgO) dome
- Under-hung voice coil (1mm linear excursion)
- Pure silver lead wires/ terminal posts
- High-flux double magnet design
- Designed / assembled / tested in USA



## Frequency Response



## Impedance



## Parameters

<b>Dome Type</b>	<b>Convex Magnesia</b>
<b>Surround</b>	<b>3-layer fabric</b>
<b>Bobbin type</b>	<b>Aluminum Alloy</b>
<b>Impedance</b>	<b>6 ohm</b>
<b>RE</b>	<b>4.1 ohm</b>
<b>Power limit</b>	<b>100 W</b>
<b>SPL /2.83v</b>	<b>92 db</b>
<b>SD</b>	<b>5.9 cm2</b>
<b>Voice coil winding height</b>	<b>1.8 mm</b>
<b>Voice coil inductance</b>	<b>0.04 mh</b>
<b>Magnetic gap height</b>	<b>2.8 mm</b>
<b>BL</b>	<b>3.1 tm</b>
<b>Linear excursion</b>	<b>1 mm (total)</b>
<b>MMS</b>	<b>0.33 gr</b>
<b>FR</b>	<b>430 hz</b>
<b>QTS</b>	<b>0.20</b>