

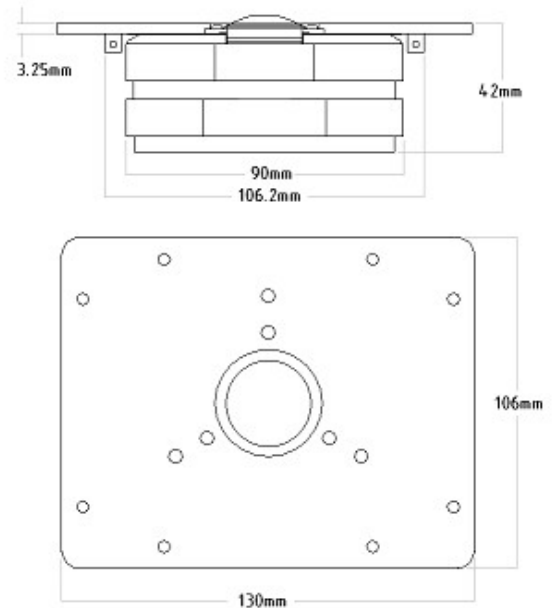
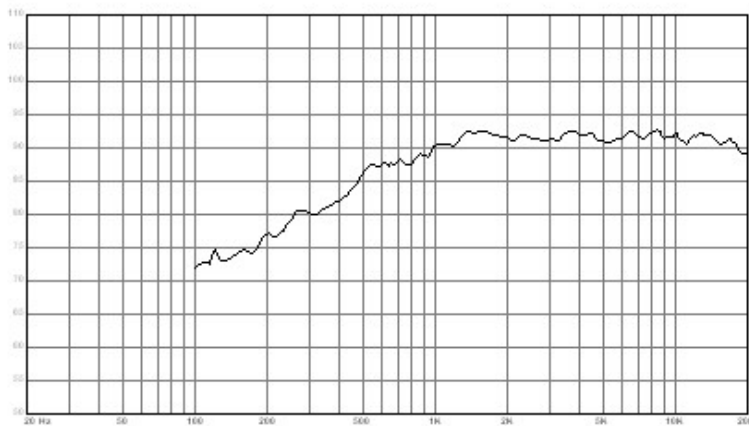
# Transducer Lab

## N26MG-G

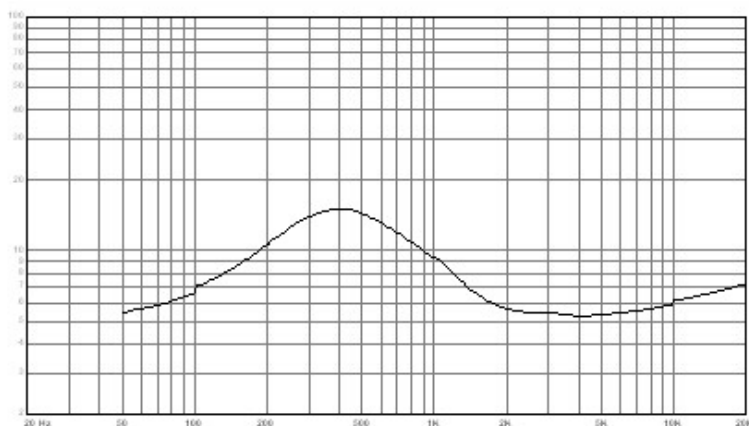
- Magnesium Oxide (MgO) dome
- Under-hung voice coil (1mm linear excursion)
- Pure silver lead wires/ terminal posts
- High-flux double magnet design
- Designed / assembled / tested in USA



## Frequency Response



## Impedance



## Parameters

|                                  |                     |
|----------------------------------|---------------------|
| <b>Dome Type</b>                 | Convex Magnesia     |
| <b>Surround</b>                  | 3-layer fabric      |
| <b>Bobbin type</b>               | Glass fiber         |
| <b>Impedance</b>                 | 6 ohm               |
| <b>RE</b>                        | 4.1 ohm             |
| <b>Power limit</b>               | 95 W                |
| <b>SPL /2.83v</b>                | 92.5 db             |
| <b>SD</b>                        | 5.9 cm <sup>2</sup> |
| <b>Voice coil winding height</b> | 1.8 mm              |
| <b>Voice coil inductance</b>     | 0.04 mh             |
| <b>Magnetic gap height</b>       | 2.8 mm              |
| <b>BL</b>                        | 3.2 tm              |
| <b>Linear excursion</b>          | 1 mm (total)        |
| <b>MMS</b>                       | 0.32 gr             |
| <b>FR</b>                        | 440 hz              |
| <b>QTS</b>                       | 0.21                |

Transducer Lab

254 S. Cole Rd, Boise, Idaho, 83709

Transducerlab.com / connect@transducerlab.com

6/5/2014